

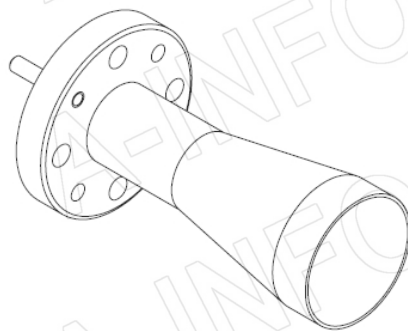
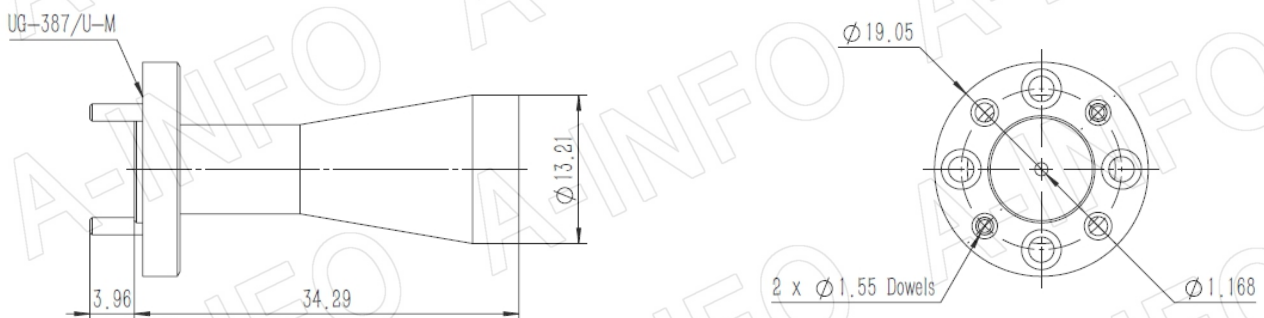
For reference only. See data sheet for the detailed specifications.

Technical Specification

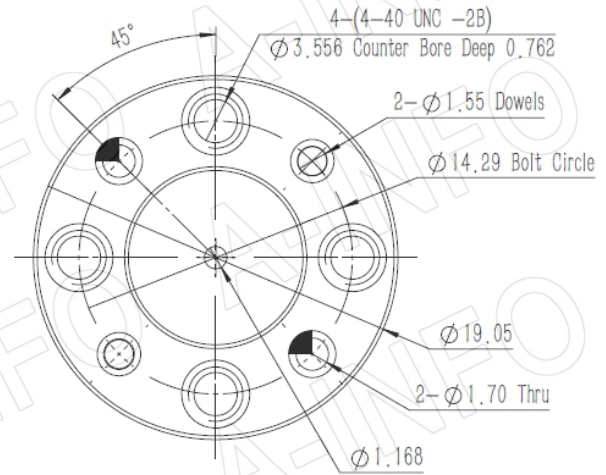
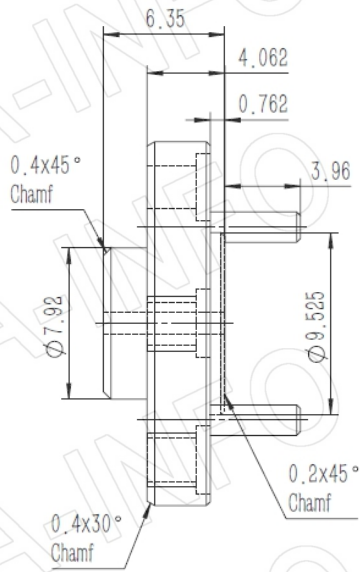


Frequency Range(GHz)	183.0 – 240.0
Circular WG Size	1.168mm / 0.046"
Gain(dBi)	25 Typ.
Polarization	Linear and Circular
3dB Beamwidth(deg)	E Plane: 9 Typ.
	H Plane: 10 Typ.
Cross Pol. Isolation(dB)	40 Typ.
VSWR	1.20:1 Max.
Output	UG-387/U-M
Material	Cu
Finish	Gold Plated
Size(mm)	19.05 x 19.05 x 34.29
Net Weight(Kg)	0.02 Around

Outline Drawing (Size: mm)



Flange Drawing (Size: mm)



UG-387/U-M

Test Results (Including circular to rectangular transition)

Gain & Antenna Factor

